



SUBMITTAL DATA: 3VIR12HP230V1A		12000 BTU/H Wall Mounted Heat Pump System	
Job Name	Location	Date	
Purchaser	Engineer		
Submitted To	For		
Unit Designation	Schedule No.		

YAP1F7F	3VIR12HP230V1AH	3VIR12HP230V1AO
---------	-----------------	-----------------



XE71 (Optional)

## GENERAL FEATURES

- AHRI Certificate: 206839099**
- High Efficiency DC Inverter Technology**
- Compact and Quiet Design**
- Auto-Clean Function on Indoor Unit**
- Wireless Remote with LCD Display**
- Wired Controller Options**
- Wi-Fi Included (Factory Installed)**
- Low Ambient Cooling down to -20°F (Range -20°F to 122°F)**
- Low Ambient Heating down to -22°F (Range -22°F to 86°F)**
- Coil (Indoor and Outdoor) Copper Tube / Aluminum Fin\***
- \*(Blue Fin) 500 Hrs Salt Spray Tested**

**Limited Warranty: 5 Year Parts, 7 Years Compressor - Residential & Commercial**



**514-294-5098**  
**info@NoroitCVC.com**  
**NoroitCVC.com**

**RBQ : 5825-9938-01**

## SPECIFICATIONS

## 3VIR12HP230V1AO / 3VIR12HP230V1AH

System Type		<b>HEAT PUMP</b>	
<b>SYSTEM PERFORMANCE</b>			
Cooling	Rated Capacity @ 95°F	Btu/h	12000
	Min-Max Capacity	Btu/h	3071 - 14100
	Rated Power Input (Min - Max)	W	220 - 1400
Heating	Rated Capacity @ 47°F	Btu/h	12000
	Rated Capacity @ 17°F	Btu/h	7300
	Min-Max Capacity	Btu/h	3071 - 15500
	Rated Power Input (Min - Max)	W	220 - 1500
SEER / EER		25 / 13	
HSPF / COP		11.5 / 3.61	
Energy Star®		YES	
Cooling Temperature Range		°F	-20 - 122
Heating Temperature Range		°F	-22 - 86
<b>INDOOR UNIT</b>		<b>3VIR12HP230V1AH</b>	
Fan Motor Output Power		W	15
Fan Motor FLA		amps	0.2
Air Flow (Min - Max)		CFM	230 - 400
Sound Pressure Level (Cooling / Heating)		dB(A)	27 - 43
Dehumidification		pt/hr	3
Condensate Drain Size (OD)		in	5 / 8
Unit Dimension (WxHxD)		in	32 1/2 X 11 1/2 X 7 3/4
Package Dimension (WxHxD)		in	34 1/4 X 13 3/4 X 10 1/8
Weight (Net / Gross)		lbs	21 / 25.4
<b>OUTDOOR UNIT</b>		<b>3VIR12HP230V1AO</b>	
Compressor Type		G-10 / 1-Stage Inverter	
Compressor RLA		amps	6.6
Fan Motor Output Power		W	30
Fan Motor RLA		amps	0.37
Sound Pressure Level (Cooling / Heating)		dB(A)	52
Unit Dimension (WxHxD)		in	35 3/8 X 23 1/2 X 14 3/4
Package Dimension (WxHxD)		in	37 3/16 X 24 7/8 X 16 1/2
Weight (Net / Gross)		lbs	83.8/90.4
Refrigerant Charge - R410A		oz	47.3
Coil Type		Aluminum Fin / Copper Tube	
<b>REFRIGERANT PIPING</b>			
Line Set Size (Liquid - Gas)		in	1/4 - 1/2
Pre-Charge Lengh		ft	25
Pipe Length (Min - Max)		ft	10 / 66
Max. Pipe Elevation		ft	33
<b>ELECTRICAL</b>			
Power Supply (Voltage Operating Range)		208-230V / 1Ph / 60Hz	
Rated Current (Cooling / Heating)		amps	4 / 7.5
MCA / MOCP		amps	10 / 15
Main Power Wire Size		AWG	Size Per Local Code
Interconnecting Wire Size		AWG	14 / 4
<b>LIMITED WARRANTY</b>		<b>5 Years Parts, 7 Years Compressor - Residential &amp; Commercial</b>	

**EXTENDED RATINGS**

**3VIR12HP230V1AO / 3VIR12HP230V1AH**

COOLING PERFORMANCE						HEATING PERFORMANCE				
Outdoor Ambient Temperature (DB)		Return Air Temperature				Outdoor Ambient Temperature (DB)		Return Air Temperature		
		80°F (DB)						70°F (DB)		
		TC (Btu/h)	SHR	EER	Power Input (W)			TC (Btu/h)	COP	Power Input (W)
<b>MAX OUTPUT</b>	-20°F	5380	3834	10.95	491	<b>MAX OUTPUT</b>	-22°F	4800	1.38	1019
	-15°F	5530	3959	11.01	502		-20°F	4980	1.41	1033
	-10°F	5680	4084	11.06	513		-15°F	5160	1.44	1048
	-5°F	5840	4217	11.10	526		-10°F	5460	1.51	1062
	0°F	6000	4350	11.13	539		-5°F	5760	1.57	1077
	5°F	6240	4555	11.35	550		0°F	7800	2.09	1096
	10°F	6420	4703	11.33	567		5°F	9000	2.36	1116
	15°F	6600	4851	11.32	583		10°F	9600	2.61	1077
	20°F	6900	5090	11.40	605		15°F	10140	2.77	1072
	25°F	7200	5328	11.48	627		17°F	10680	2.93	1067
	30°F	7680	5722	11.64	660		20°F	10800	3.11	1019
	35°F	8040	6011	11.69	688		25°F	10920	3.23	989
	40°F	8400	6300	11.75	715		30°F	11160	3.34	980
	45°F	8760	6593	11.30	776		35°F	11280	3.47	955
	50°F	9120	6886	10.91	836		40°F	11400	3.59	931
	55°F	9420	7136	10.98	858		45°F	11760	3.63	951
	60°F	9720	7387	11.05	880		47°F	11880	3.63	960
	65°F	10380	7916	11.10	935		50°F	12000	3.63	970
	70°F	11040	8446	11.15	990		55°F	12960	3.80	999
	75°F	12120	9332	11.60	1045		60°F	13800	3.93	1028
	80°F	12600	9735	11.87	1062		65°F	13200	3.66	1057
	85°F	13080	10137	12.13	1078		70°F	12720	3.49	1067
	90°F	12540	9749	11.52	1089		75°F	11880	3.23	1077
	95°F	12000	9360	10.91	1100		80°F	11160	3.12	1048
100°F	11400	8919	9.97	1144	86°F	10360	2.91	1044		
105°F	10800	8478	9.09	1188						
110°F	10440	8221	8.51	1227						
115°F	10080	7963	7.97	1265						
120°F	9480	7511	7.46	1271						
122°F	8880	7060	6.96	1276						

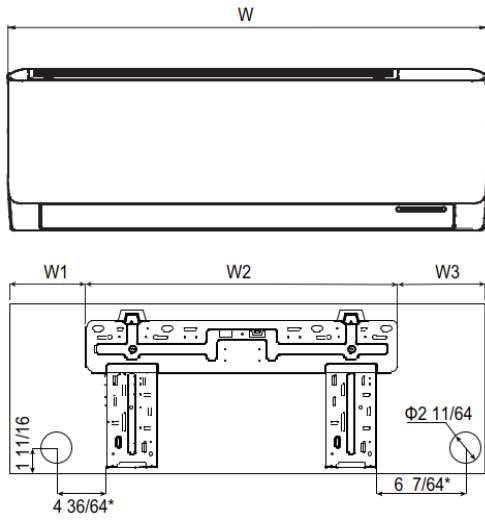
**LEGEND:** W - Watts  
 DB - Dry Bulb  
 TC - Total Capacity  
 SHR - Sensible Heat Ratio  
 COP - Coefficient of Performance

## FEATURES & FUNCTIONS SUMMARY

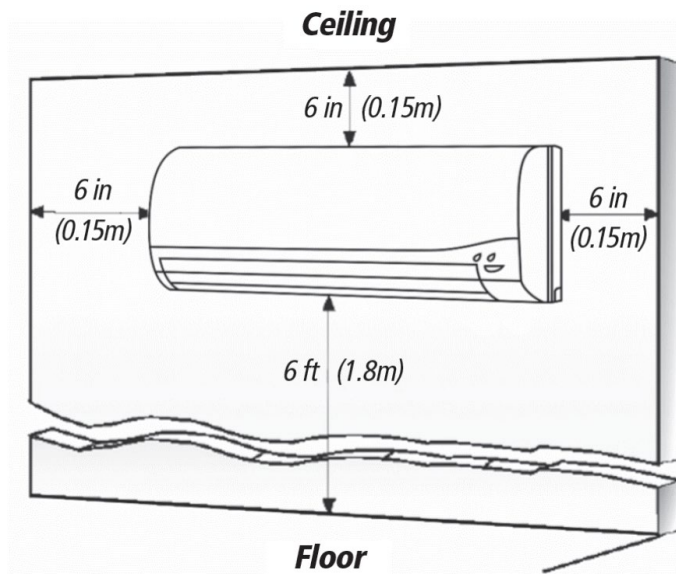
3VIR12HP230V1AO / 3VIR12HP230V1AH

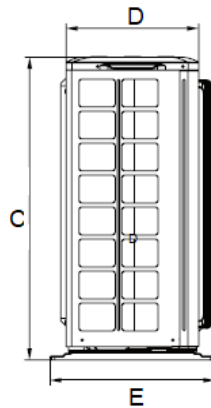
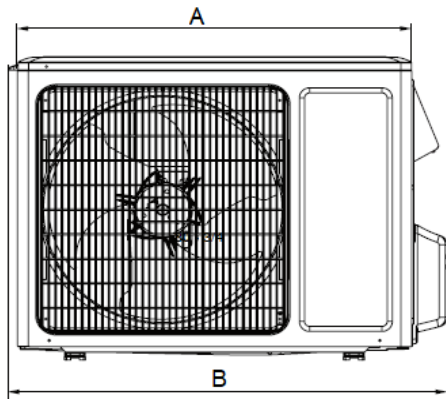
SYSTEM FEATURES	
Inverter Type	G10
Ultra Low Frequency Torque Control	Yes
Power Factor Correction	Yes
Compressor Type - Inverter	High Efficiency Rotary
Basepan With Electric Heater	Yes
Indoor & Outdoor Fin Coating (Blue Fin)	Yes
Intelligent Defrosting	Yes
Intelligent Preheating	Yes
Low Voltage Startup	Yes
Memory/Power Failure Recovery	Yes
Self Diagnosis	Yes
Wired Controller Interface (XE71 or XK76 optional)	Yes
WiFi Included	Yes
<b>NEW! Easy Service Access</b>	Yes
Indoor Fan Type	Crossflow
Multi Fan Speeds	7 Speeds
Indoor Unit Display	Yes
Auxiliary Electrical Heater	No
Ventilation (Outdoor Air)	No

REMOTE CONTROLLER FUNCTIONS	
<b>NEW! Auto Clean</b>	Yes
Auto Mode	Yes
Auto Fan	Yes
Auto Swing (Horizontal Auto Swing)	Yes
Auto Swing - 180° (Vertical Auto Swing)	Yes
Clock	Yes
Dry Mode	Yes
Dry Anti-Mildew (X-Fan) Mode	Yes
Energy Saving Mode	Yes
Dirty Filter Alert	No
Fan Speed Control (7 Speeds)	Yes
I Feel Function	Yes
Privacy Lock	Yes
Quiet Mode	Yes
Room Temperature Display	No
Sleep Mode	Yes
3 Sleep Mode Options	Yes
Timer Mode	Yes
Turbo Mode	Yes
Display On/Off Control	Yes
Freeze Guard Mode	Yes
Power Failure Mode	Yes

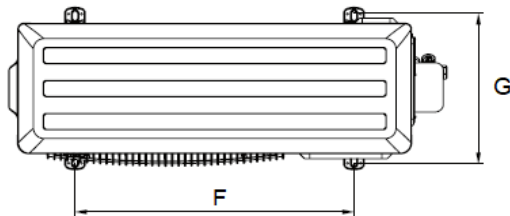


Dimensions	
W	32 1/2
D	7 3/4
H	11 1/2
W1	4 7/16
W2	21 3/8
W3	6 11/16

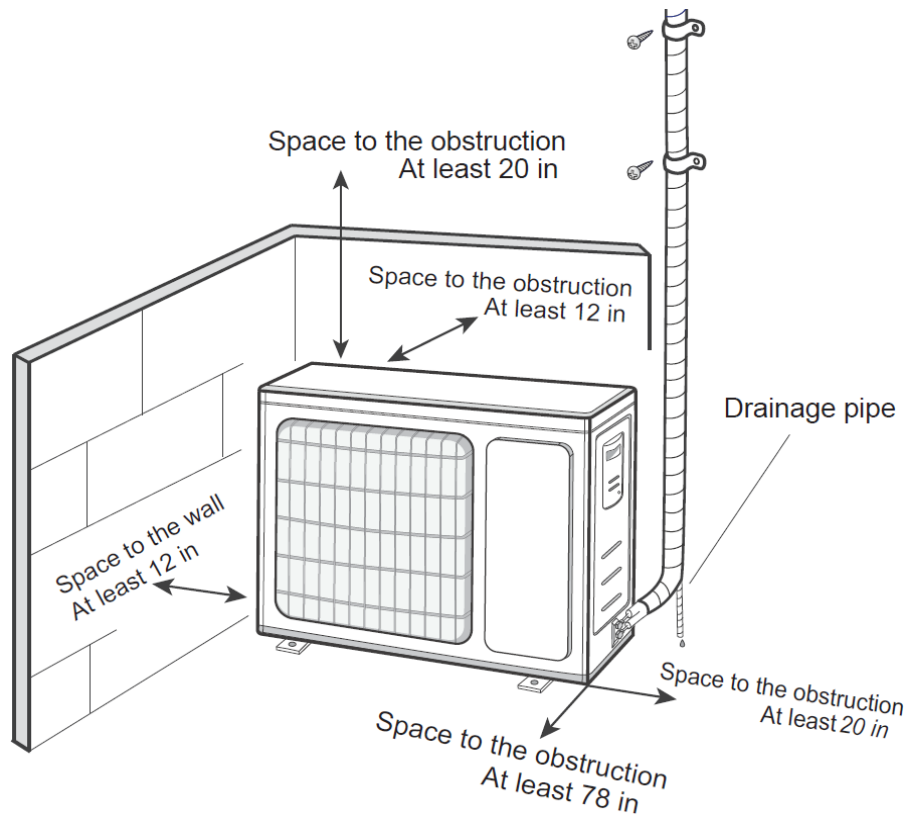




Dimensions	
A	32 3/16
B	35 3/8
C	23 1/2
D	12
E	14 3/4
F	21 2/3
G	13 1/2



Unit:inch



Specifications are subject to change without notice. Manufacturer reserves the right to discontinue or modify specifications or designs without notice or without incurring obligations. All Rights reserved.